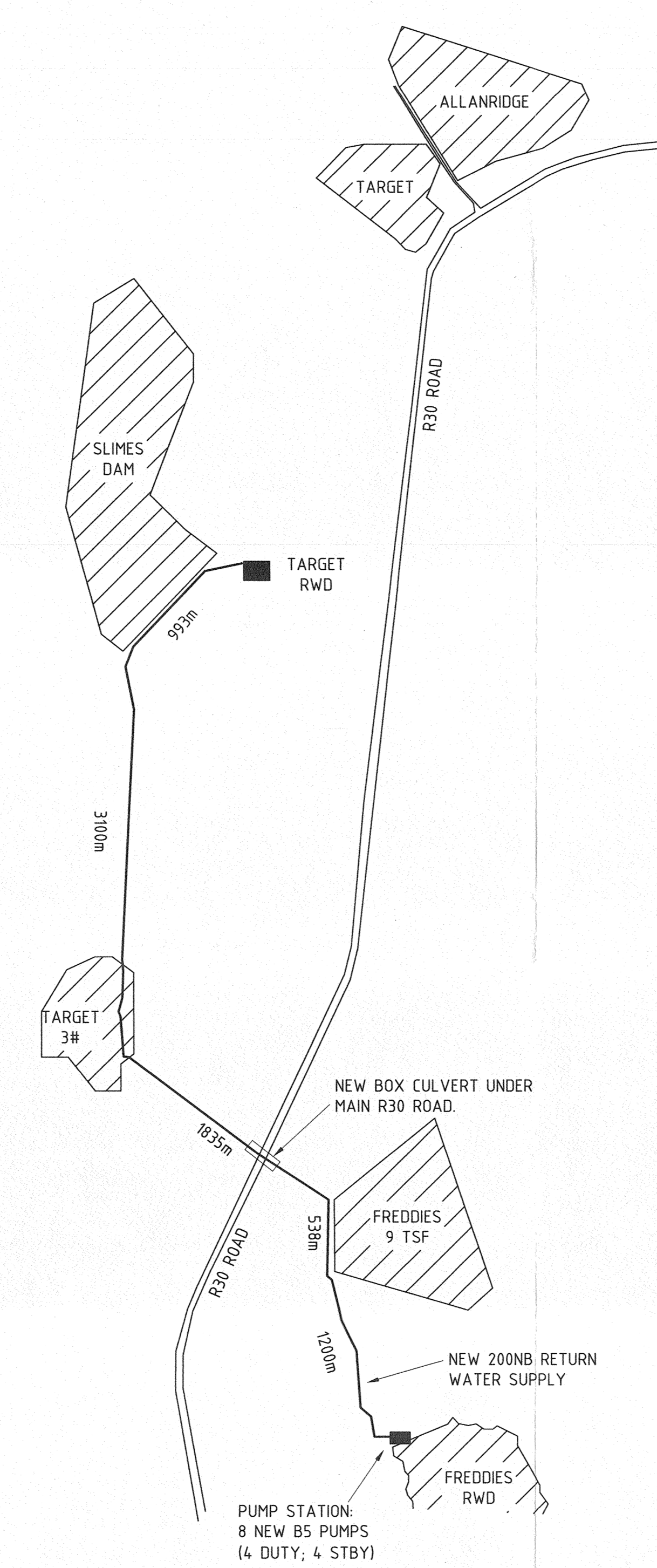
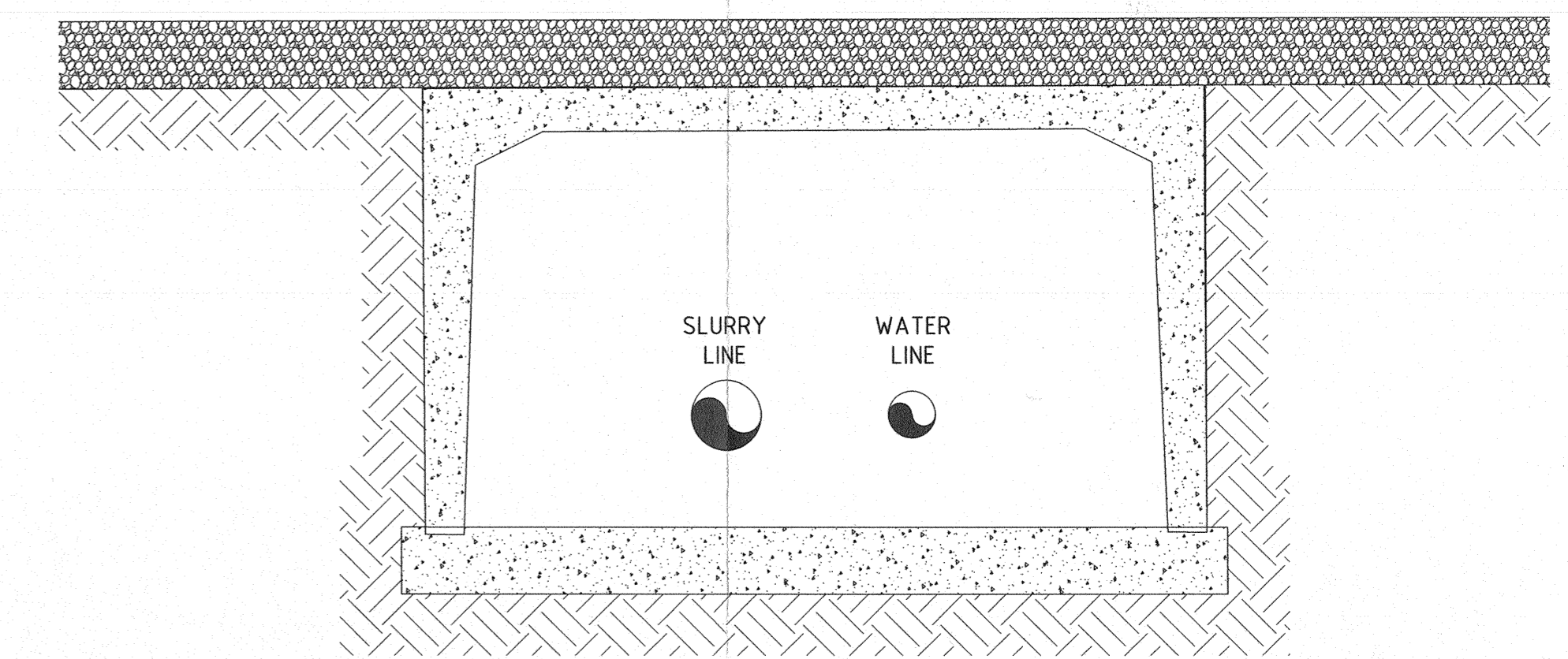


EXTENSION OF TARGET PLANT RESIDUE PIPELINE TO FREDDIE'S 9 TSF

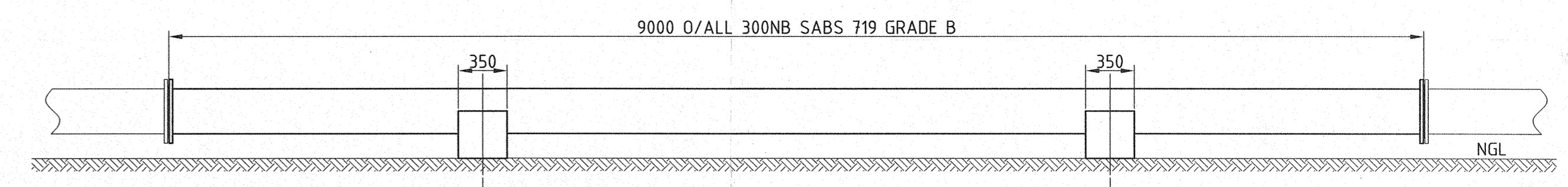


NEW RETURN WATER PIPELINE FROM FREDDIE'S 9 RWD TO TARGET RWD

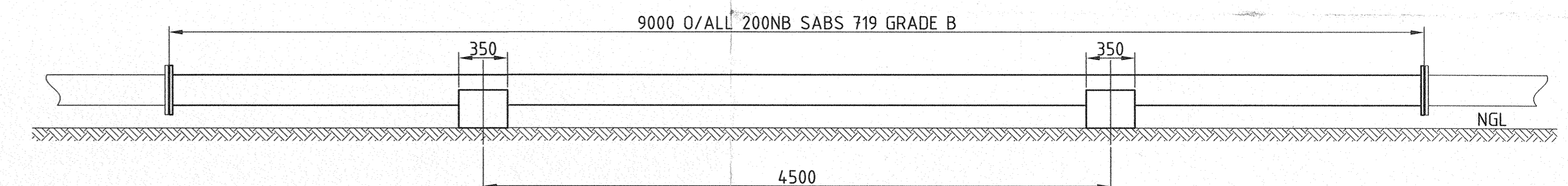


SECTION TROUGH CULVERT UNDER R30 ROAD

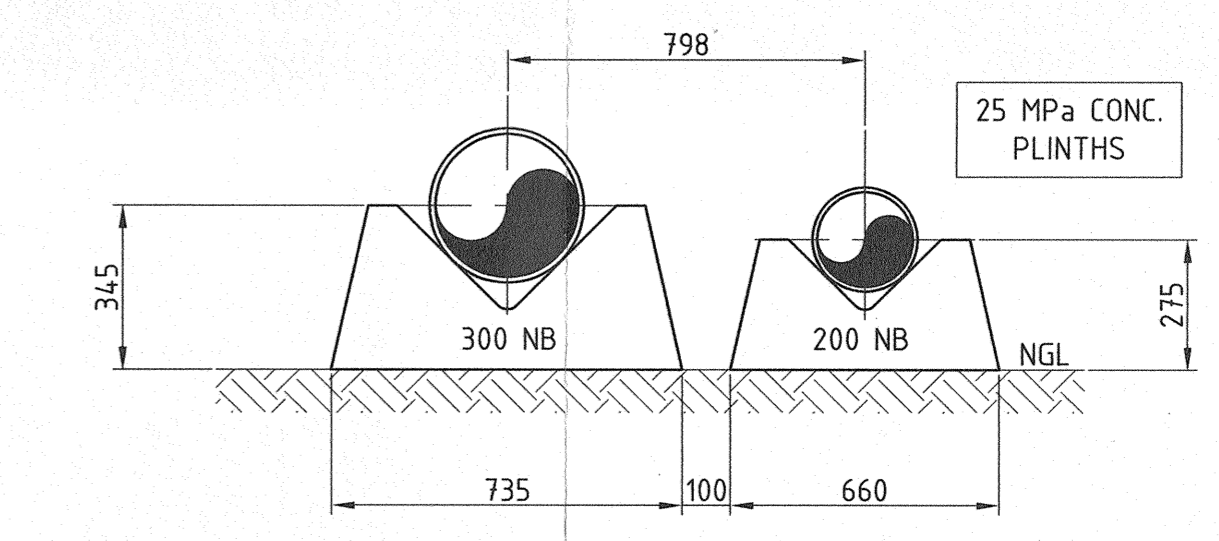
FOR DETAIL DRAWINGS AND DOCUMENTATION SEE KBK-ENGINEERS DRAWINGS
 3299B/LD/01 - LOCALITY PLAN
 3299B/LD/01 - LAYOUT PLAN AND DETAILS
 3299B/CD/01 - TRAFFIC ACCOMMODATION CROSS SECTIONS
 3299B/TD/01 - TRAFFIC ACCOMMODATION TWO-WAY TRAFFIC
 3299B/TD/02 - TRAFFIC ACCOMMODATION TWO-WAY TRAFFIC SIGNS
 3299B/PC/01 - PRECAST BOX CULVERT GENERAL ARRANGEMENT



SIDE VIEW ON 300NB SLURRY LINE



SIDE VIEW ON 200NB RETURN WATER LINE



SECTION THROUGH PIPE LINES ON PLINTHS

Cyril Radebe
 Cyril Radebe
 Plant Manager

PROFESSIONAL ENGINEER APPROVAL	RESPONSIBLE ENGINEER APPROVAL	ISSUE STAMP
NOT REQUIRED	<i>Thabo Ndlovu</i> Thabo Ndlovu 2022/11/11/2022	HARMONY ORIGINAL
SIGNATURE AND STAMP	SIGNATURE AND STAMP	NOTE:- This drawing may not be used without the appropriate stamp indicating its purpose.

TITLE	SEQ NO	DETAIL	MARK	DATE	INIT	APP'D	DESIGNER	NAME	DATE	SIGNATURE
REFERENCE DRAWINGS										

COMPANY: HARMONY G.M		REV: 00		WORK NO		1347-P02-2022-01		DWG NO		1347-18-00-GA-001		SIZE		A1	
LOCATION: TARGET PLANT		SCALE: NTS		PROJECT:		TARGET PLANT TO FREDDIE'S 9 TSF - RESIDUE AND RETURN WATER PIPING		JOB TITLE:		LAYOUT OF PROPOSED OVERLAND PIPING FOR TARGET RESIDUE AND RETURN WATER PIPING					
DESIGNER:				COPYRIGHT:		HARMONY ENGINEERING DEPT WELKOM									